



Mini Pool Light



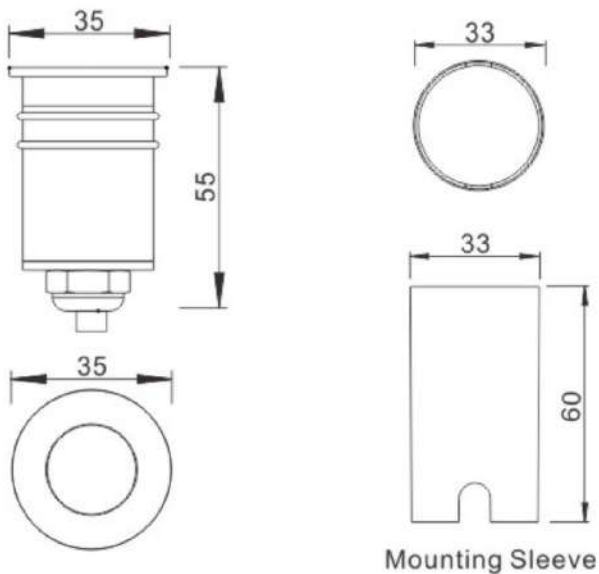
Power	Volt	IP
1 W	24 VDC	68
2 W	24 VDC	68

Electrical
- 24 VDC

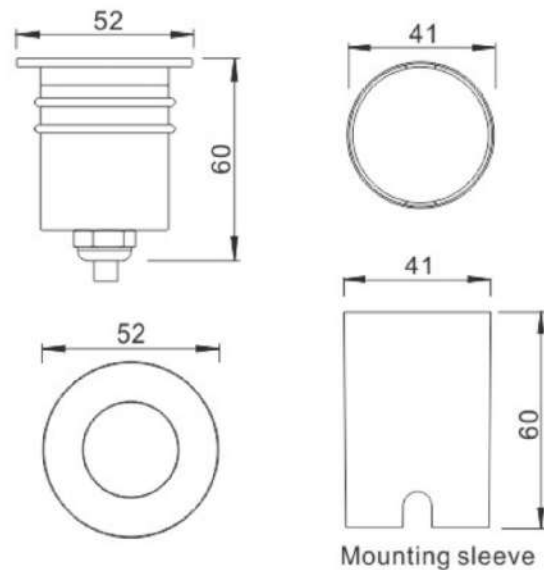
Requirements

- IP68 Connector / Junction Box
- Power Supply 24 V Constant Voltage
- PVC Conduit (Water Drainage)

Dimension - 1 W



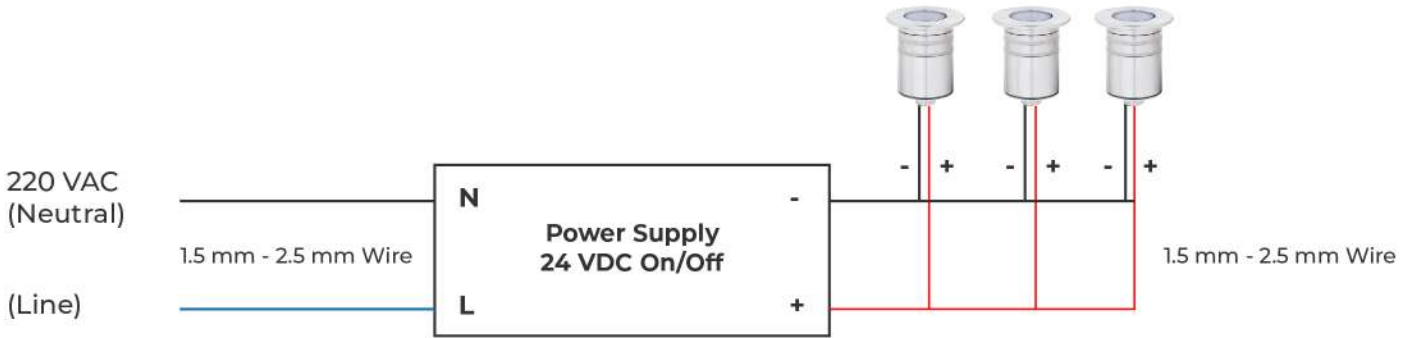
Dimension - 2 W



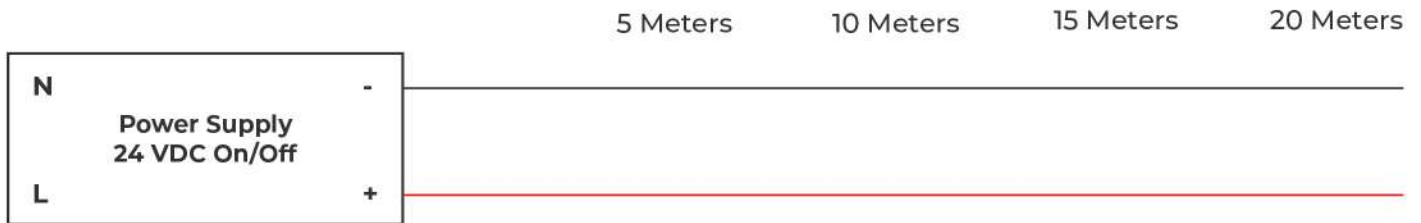
PERINGATAN

1. Ikuti petunjuk instalasi, garansi tidak berlaku jika instalasi tidak sesuai dengan petunjuk
2. Lampu 24 VDC, diperlukan power supply 24 V untuk pemasangan
3. Pastikan sumber listrik mati sebelum pemasangan instalasi lampu
4. Setiap koneksi kabel harus kering dan menggunakan IP66/IP68 konektor, garansi tidak berlaku jika instalasi tidak sesuai dengan petunjuk
5. Dilarang membuka komponen isi lampu, garansi tidak berlaku jika lampu telah dibuka

24 VDC – On/Off Installation



Voltage Drop Estimation



Conductor	Cable Thickness (Diameter)	5 Meters 24 VDC Voltage Drop @ 3 Ampere	10 Meters 24 VDC Voltage Drop @ 3 Ampere	15 Meters 24 VDC Voltage Drop @ 3 Ampere	20 Meters 24 VDC Voltage Drop @ 3 Ampere
Copper	2 x 1.45 mm (15 AWG)	1.3 %	2.6 %	3.9 %	5.2 %
Copper	2 x 2.58 mm (10 AWG)	0.4 %	0.8 %	1.2 %	1.6 %
Copper	2 x 3.66 mm (7 AWG)	0.2 %	0.4 %	0.6 %	0.8 %

(Disclaimer : Cable type, length, thickness, open air/buried installation, power supply type, load, volt, number of luminaire may affect the result)

Power Supply Capacity & Maximum Amount of Luminaire

Maximum Power Supply Capacity Used < 75% = < 75 W	Luminaire Power	Maximum Luminaire	Total Power Output
100 W Power Supply	1 W	50 pcs	50 W
100 W Power Supply	2 W	25 pcs	50 W

(Disclaimer : Power supply type : power factor, efficiency may affect the result)