



## Uplight Adjustable

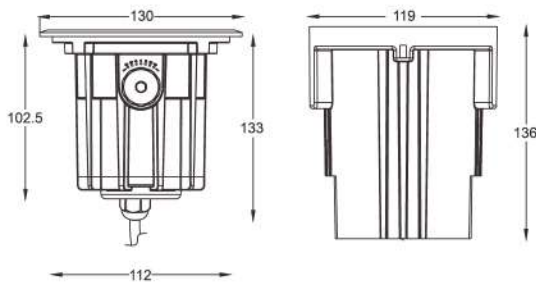


| Power | Volt   | IP |
|-------|--------|----|
| 10 W  | 24 VDC | 67 |
| 20 W  | 24 VDC | 67 |
| 40 W  | 24 VDC | 67 |

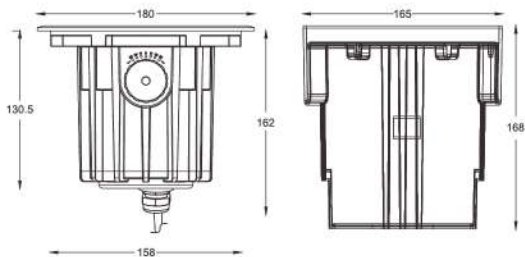
**Electrical**  
- 24 VDC

### Requirements

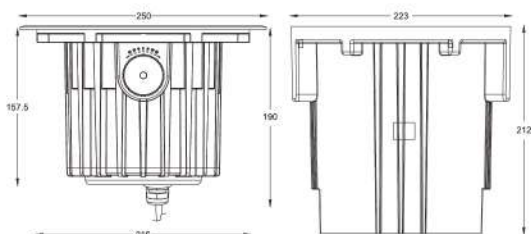
- IP66/IP68 Connector / Junction Box
- Power Supply 24 V Constant Voltage
- PVC Conduit (Water drainage)



**Dimension - 10 W**



**Dimension - 20 W**

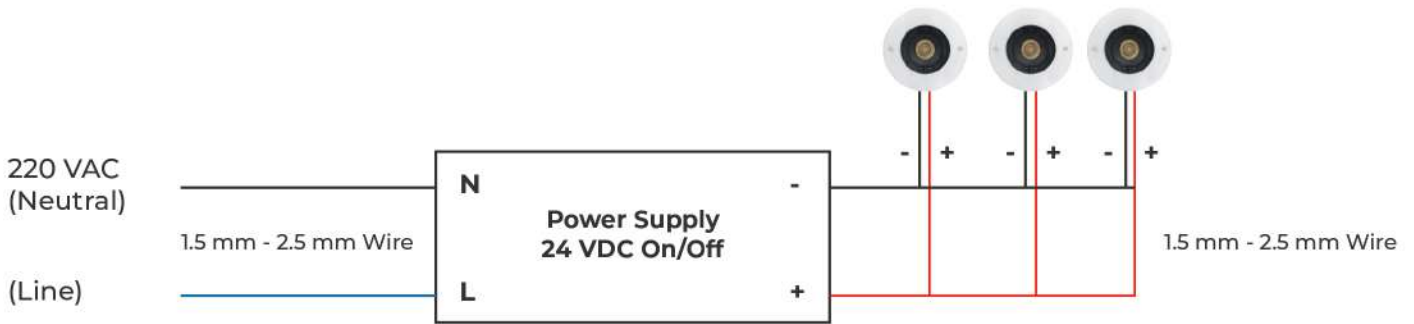


**Dimension - 40 W**

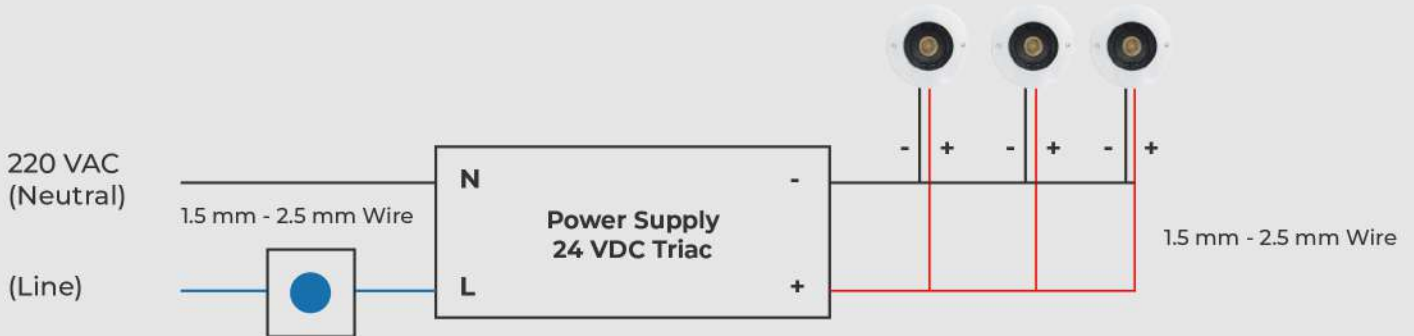
## PERINGATAN

1. Ikuti petunjuk instalasi, garansi tidak berlaku jika instalasi tidak sesuai dengan petunjuk
2. Lampu 24 VDC, diperlukan power supply 24 V untuk pemasangan
3. Pastikan sumber listrik mati sebelum pemasangan instalasi lampu
4. Setiap koneksi kabel harus kering dan menggunakan IP66/IP68 konektor, garansi tidak berlaku jika instalasi tidak sesuai dengan petunjuk
5. Dilarang membuka komponen isi lampu, garansi tidak berlaku jika lampu telah dibuka

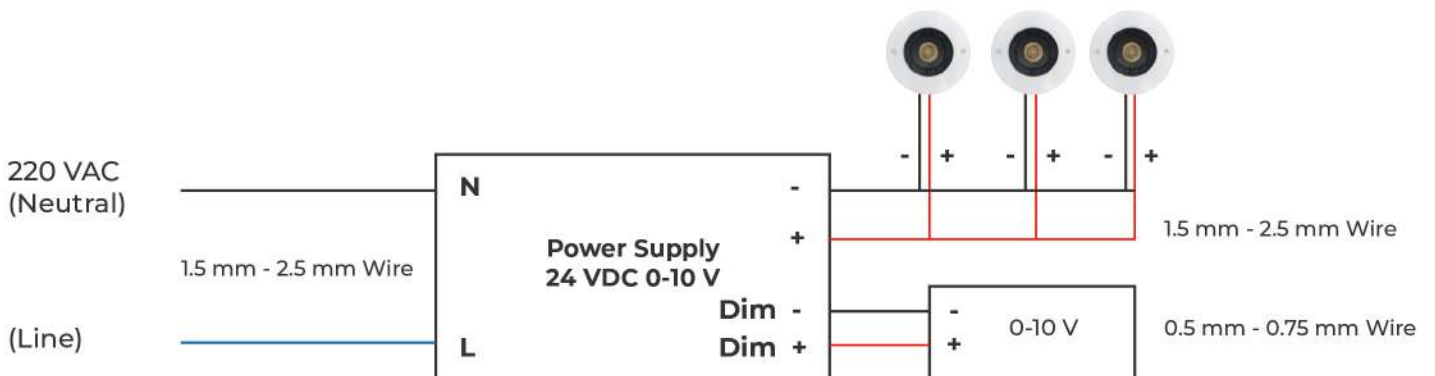
## 24 VDC – On/Off Installation



## 24 VDC – Triac Installation



## 24 VDC – 0-10 V Installation



## Voltage Drop Estimation

5 Meters      10 Meters      15 Meters      20 Meters



| Conductor | Cable Thickness (Diameter) | 5 Meters<br>24 VDC Voltage Drop<br>@ 3 Ampere | 10 Meters<br>24 VDC Voltage Drop<br>@ 3 Ampere | 15 Meters<br>24 VDC Voltage Drop<br>@ 3 Ampere | 20 Meters<br>24 VDC Voltage Drop<br>@ 3 Ampere |
|-----------|----------------------------|---|--|--|--|
| Copper    | 2 x 1.45 mm (15 AWG)       | 1.3 %   | 2.6 %  | 3.9 %  | 5.2 %  |
| Copper    | 2 x 2.58 mm (10 AWG)       | 0.4 %   | 0.8 %  | 1.2 %  | 1.6 %  |
| Copper    | 2 x 3.66 mm (7 AWG)        | 0.2 %   | 0.4 %  | 0.6 %  | 0.8 %  |

*(Disclaimer : Cable type, length, thickness, open air/buried installation, power supply type, load, volt, number of luminaire may affect the result)*

## Power Supply Capacity & Maximum Amount of Luminaire

| Maximum Power Supply Capacity Used < 75% = < 75 W | Luminaire Power | Maximum Luminaire | Total Power Output |
|---|-----------------|-------------------|--------------------|
| 100 W Power Supply                                | 10 W            | 7 pcs             | 70 W               |
| 100 W Power Supply                                | 20 W            | 3 pcs             | 60 W               |
| 100 W Power Supply                                | 40 W            | 1 pcs             | 40 W               |

*(Disclaimer : Power supply type : power factor, efficiency may affect the result)*

## CONTACT US

Jl. Gading Raya Golf Boulevard, Ruko Crystal 1 No. 20, Gading Serpong, Tangerang, Banten, 15810, Indonesia

+62 817 411 0199

@ elcalighting

www.elcacorp.com

elcalighting@gmail.com | elcacorp@yahoo.com

