

Uplight Adjustable



Adjustable lighting for better angle effect with deep light source and thick tempered glass for safety

FEATURES

Smooth Lighting Effect

High Color Rendering Index (CRI)

Highest Stainless Steel 316

High Optical Efficiency

Double Silicone Seal

Adjustable up to 30°

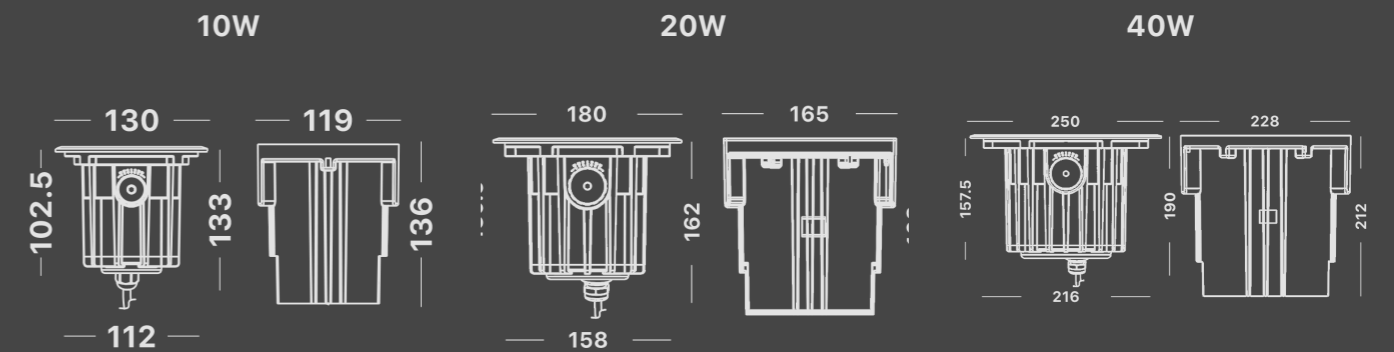
ELECTRICAL

Input 220-240VAC
Output 24VDC
Dimming Support On-off / Triac / 0-10V

SPECIFICATIONS

Power	10W	20W	40W
CCT	2700-6000K	2700-6000K	2700-6000K
Angle Beam	18°/24°/38°/60°	18°/24°/38°/60°	18°/24°/38°/60°
CRI	90	90	90
IP	67	67	67

DIMENSIONS



MATERIAL

LED COB : Cree
 Housing : Die Casting Aluminum
 Front Cover : Stainless Steel 316
 Mounting Sleeve : ABS
 Lens : Polycarbonate (PC)
 Tempered Glass

LUMENS

10W : 800-850 lumens
 20W : 1600-1700 lumens
 40W : 3200-3500 lumens

WARRANTY

2 years

LIFESPAN

30,000-50,000 hours

CERTIFICATIONS

