



Wall Washer Light



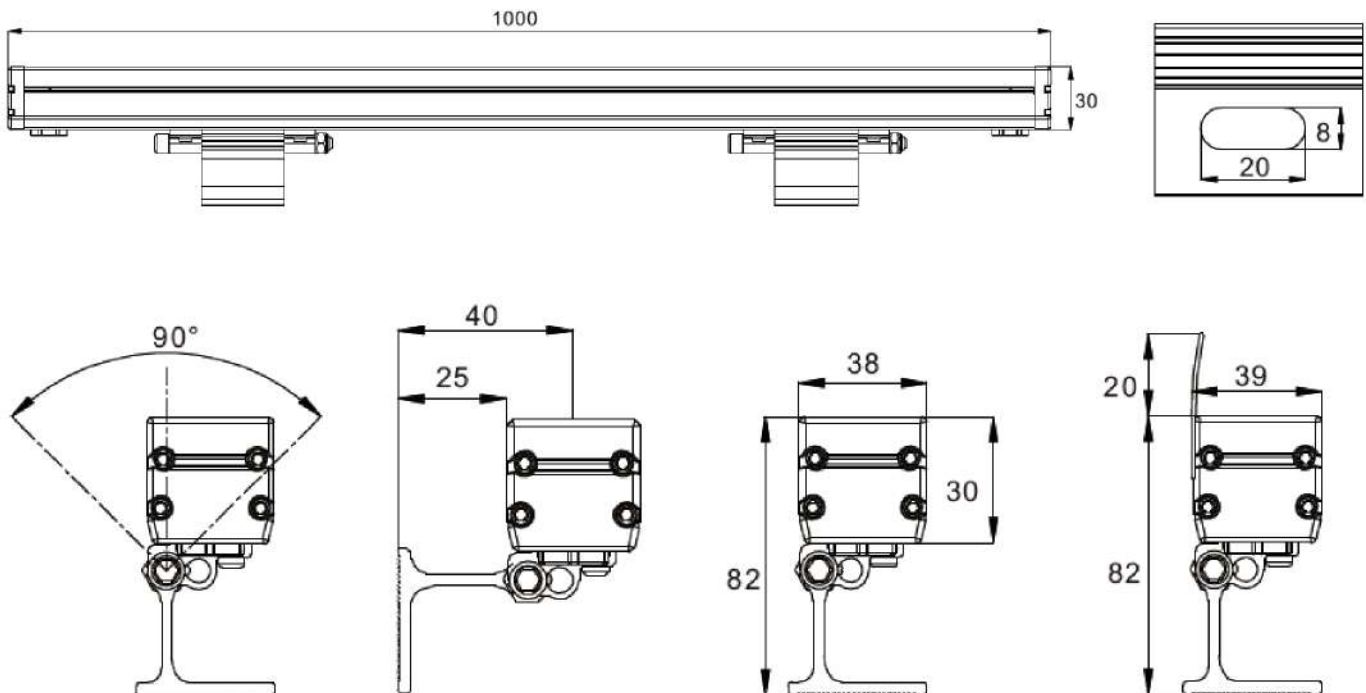
Power	Volt	IP
18 W	24 VDC	66
24 W	24 VDC	66
36 W	24 VDC	66

Electrical
- 24 VDC

Requirements

- IP66/IP68 Connector / Junction Box
- Power Supply 24 V Constant Voltage

Dimension - 18 W | 24 W | 36 W



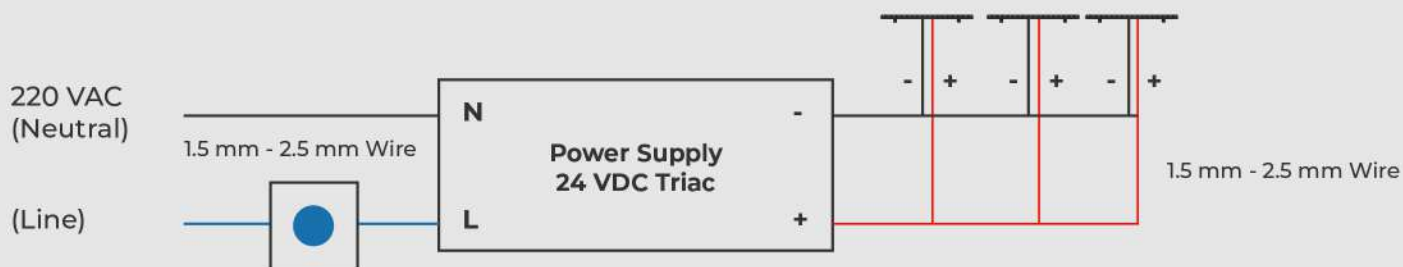
PERINGATAN

1. Ikuti petunjuk instalasi, garansi tidak berlaku jika instalasi tidak sesuai dengan petunjuk
2. Lampu 24 VDC, diperlukan power supply 24 V untuk pemasangan
3. Pastikan sumber listrik mati sebelum pemasangan instalasi lampu
4. Setiap koneksi kabel harus kering dan menggunakan IP66/IP68 konektor, garansi tidak berlaku jika instalasi tidak sesuai dengan petunjuk
5. Dilarang membuka komponen isi lampu, garansi tidak berlaku jika lampu telah dibuka

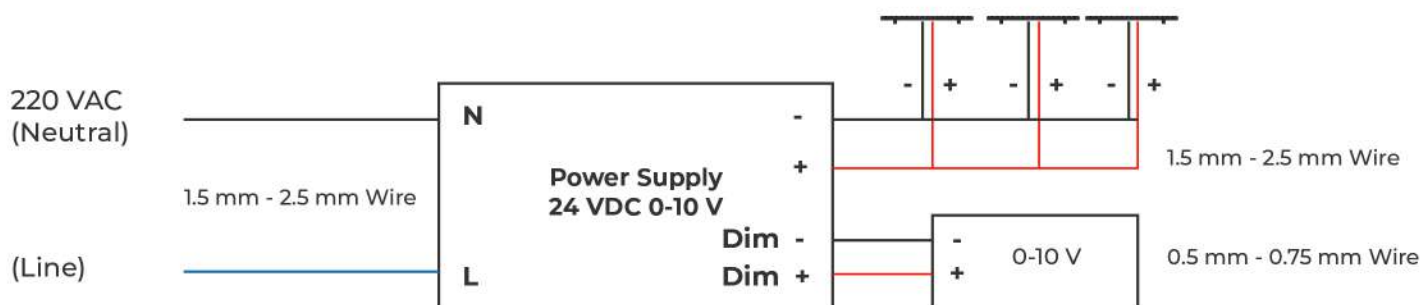
24 VDC – On/Off Installation



24 VDC – Triac Installation



24 VDC – 0-10 V Installation



Voltage Drop Estimation

5 Meters 10 Meters 15 Meters 20 Meters



Conductor	Cable Thickness (Diameter)	5 Meters 24 VDC Voltage Drop @ 3 Ampere	10 Meters 24 VDC Voltage Drop @ 3 Ampere	15 Meters 24 VDC Voltage Drop @ 3 Ampere	20 Meters 24 VDC Voltage Drop @ 3 Ampere
Copper	2 x 1.45 mm (15 AWG)	1.3 %	2.6 %	3.9 %	5.2 %
Copper	2 x 2.58 mm (10 AWG)	0.4 %	0.8 %	1.2 %	1.6 %
Copper	2 x 3.66 mm (7 AWG)	0.2 %	0.4 %	0.6 %	0.8 %

(Disclaimer : Cable type, length, thickness, open air/buried installation, power supply type, load, volt, number of luminaire may affect the result)

Power Supply Capacity & Maximum Amount of Luminaire

Maximum Power Supply Capacity Used < 75% = < 75 W	Luminaire Power	Maximum Luminaire	Total Power Output
100 W Power Supply	18 W	4 pcs	72 W
100 W Power Supply	24 W	3 pcs	72 W
100 W Power Supply	36 W	2 pcs	72 W

(Disclaimer : Power supply type : power factor, efficiency may affect the result)

CONTACT US

Jl. Gading Raya Golf Boulevard, Ruko Crystal 1 No. 20, Gading Serpong, Tangerang, Banten, 15810, Indonesia

+62 817 411 0199

@ elcalighting

www.elcacorp.com

elcalighting@gmail.com | elcacorp@yahoo.com

